



PG SERIES PRESSURE GAUGES

- Lower and Center Back Mount
- Brass, 304 SS and 316 SS Casings
- Brass or Stainless Steel Internals
- 1.5", 2.5" and 4" Dials
- Dry or Liquid Filled

PG SERIES PRESSURE GAUGES

LIQUATEC PG SERIES PRESSURE GAUGES

are extremely high quality pressure gauges. With the OEM in mind, we have taken great care in developing our stringent quality control standards. From the special synthetic fluid we use in our Liquid filled gauges, that are UV resistant and will not fade in sunlight, to our special chrome plated stems. We also incorporate a unique bracket, standard on all our panel mount gauges, that comes at no extra charge.

LIQUATEC PG SERIES PRESSURE GAUGES

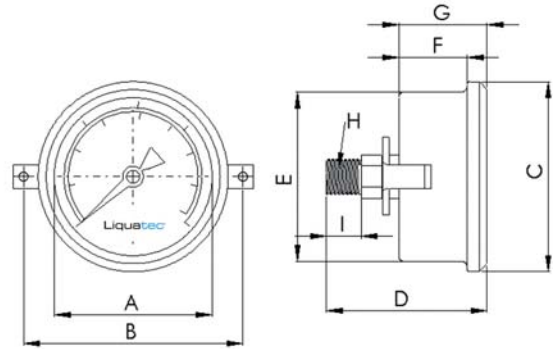
have easy-to-read two-tone dials printed in bold UV resistant ink for ease of legibility even after extensive exposure to direct sunlight. Every gauge is tested for accuracy and leakage. Our Pressure Gauges are designed for demanding applications internationally such as Reverse Osmosis, Oil Refining, Chemical, Food Processing plants, Water Treatment just to name a few. We have many options available such as custom dials, special connections, different case materials, and custom labeling.



Liquatec
corporation



PG SERIES PRESSURE GAUGES



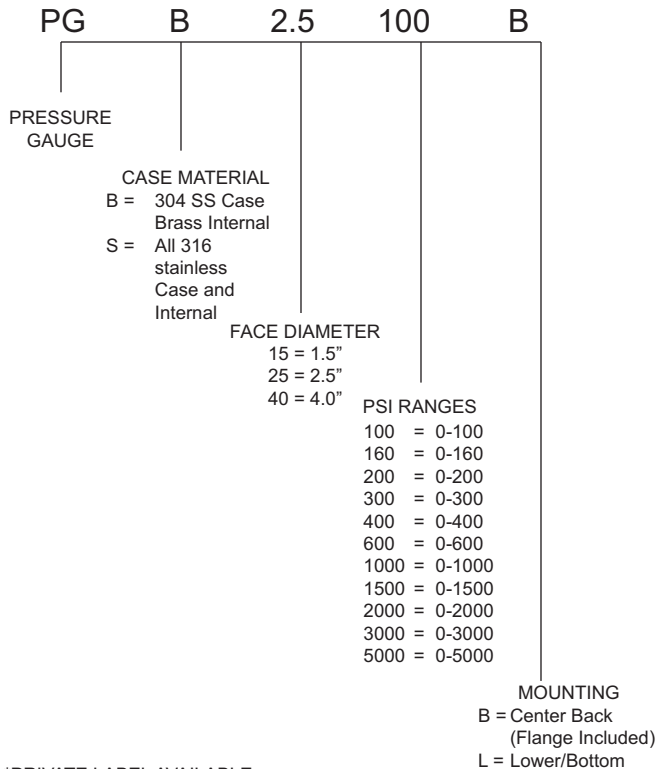
MATERIALS OF CONSTRUCTION

- CASINGS BRASS, 304 SS AND 316 SS
- INTERNALS BRASS AND 316 SS
- STEMS CHROME PLATED BRASS, 304 SS OR 316 SS
- FACE WHITE ALUMINUM, BLACK AND BLUE PRINT
- LENS CLEAR ACRYLIC
- POINTER ALUMINUM, BLACK
- FLUID UV RESISTANT SYNTHETIC SILICONE
- TEMP RATING 0°F (-18°C) TO 140°F (60°C)

CENTER BACK MOUNT 2.5" AND 4" FACE

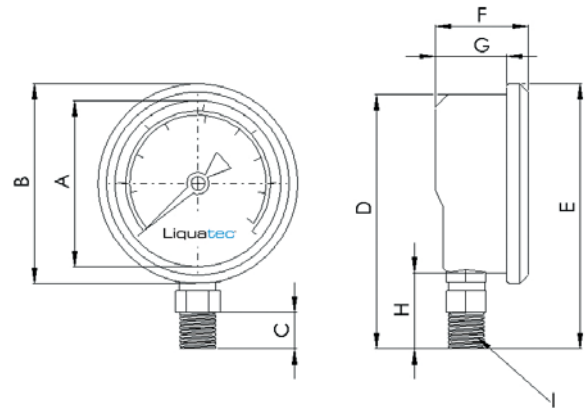
TYPE(INCH)	A	B	C	D	E	F	G	H	I
PGB25100B2.28	3.32	2.80	2.36	2.48	1.02	1.34	1/4"NPT	0.51	
PGB25160B2.28	3.32	2.80	2.36	2.48	1.02	1.34	1/4"NPT	0.51	
PGB25300B2.28	3.32	2.80	2.36	2.48	1.02	1.34	1/4"NPT	0.51	
PGB40100B3.54	5	4.33	2.92	3.88	1.10	1.42	1/4"NPT	0.55	
PGB40300B3.54	5	4.33	2.92	3.88	1.10	1.42	1/4"NPT	0.55	

PART NUMBER ORDERING GUIDE



*PRIVATE LABEL AVAILABLE

*SPECIAL PSI RANGES AVAILABLE UPON REQUEST



LOWER MOUNT 2.5" FACE

TYPE(INCH)	A	B	C	D	E	F	G	H	I
PGB25100L2.28	2.80	0.51	3.54	3.72	1.38	1.02	1.06	1/4"NPT	
PGB25300L2.28	2.80	0.51	3.54	3.72	1.38	1.02	1.06	1/4"NPT	

DISTRIBUTED BY:

Liquatec
CORPORATION

2133 S. Green Privado Ontario, CA 91761 USA
 Sales@Liquatec.com
 www.Liquatec.com