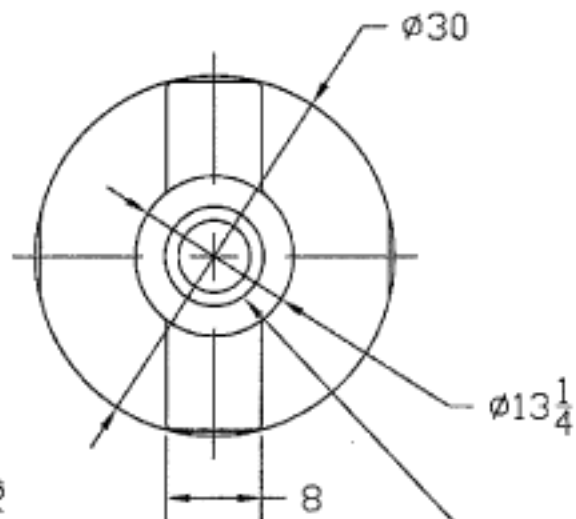
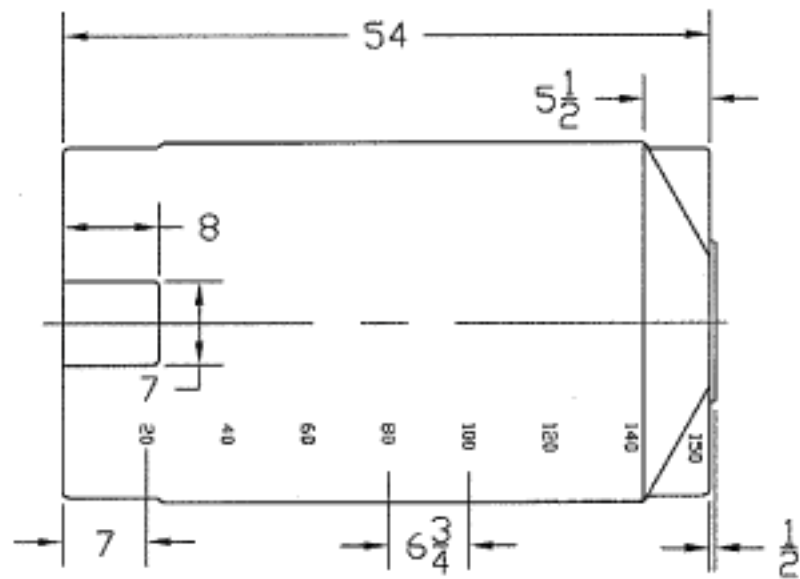


REVISIONS

ZONE	REV	DESCRIPTION	DATE	APPROVED



8 1/4 ACME THREAD, RH